

61 x 61 x 10 mm

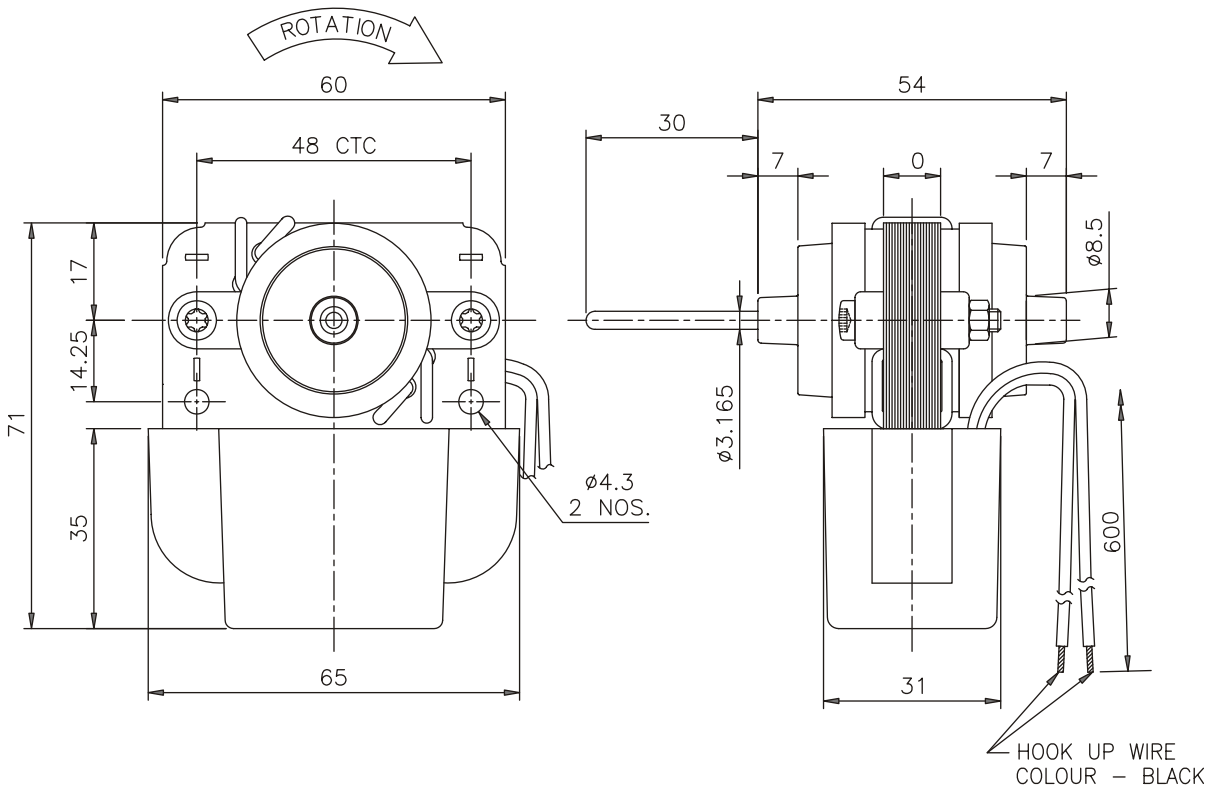
- Motor Design : Shaded Pole Motor
- Housing : Aluminium Die-cast
- Bearing : Sleeve Bearing
- Operating Voltage : 230V (185 - 245 VAC)
- Dielectric Strength : AC 1500V for 1 minute
- Insulation : Class B
- Insulation Resistance : Above 100M Ohms at 500 VDC
- Connection : Lead Wire
- Motor Protection : Impedance Protected
- Direction of Rotation : CW
- Operating Temperature : - 40 to + 40°C
- Net Weight : 380 Grams



Specification

Model	Bearing	Fan Blade	Voltage	Frequency	Current	Power Consumption	Speed	Air Flow
REC		Ø	V	Hz	A	W	RPM	CFM
6110 A2	Sleeve	100	230	50 / 60	0.075 / 0.060	7.0 / 6.5	2550 / 2650	70

Note : Also Available in 115 VAC



* Specifications Subject to Change Without Notice