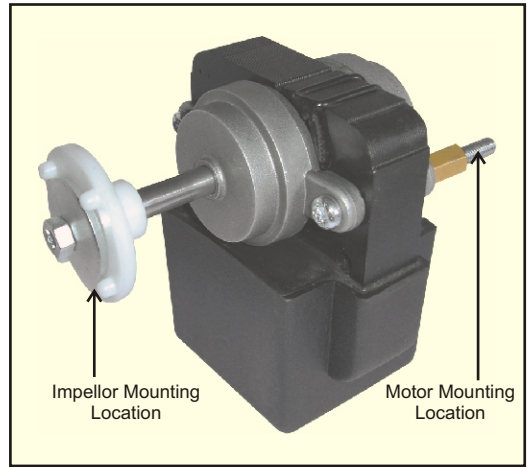


**61 x 61 x 20 mm**

- Motor Design : Shaded Pole Motor
- Housing : Aluminium Die-cast
- Bearing : Sleeve Bearing
- Operating Voltage : 230V (185 - 245 VAC)
- Dielectric Strength : AC 1500V for 1 minute
- Insulation : Class B
- Insulation Resistance : Above 100M Ohms at 500 VDC
- Connection : Lead Wire
- Motor Protection : Impedance Protected
- Direction of Rotation : CCW
- Operating Temperature : - 40 to + 40°C
- Net Weight : 590 Grams ( 680 Grams with Potting )



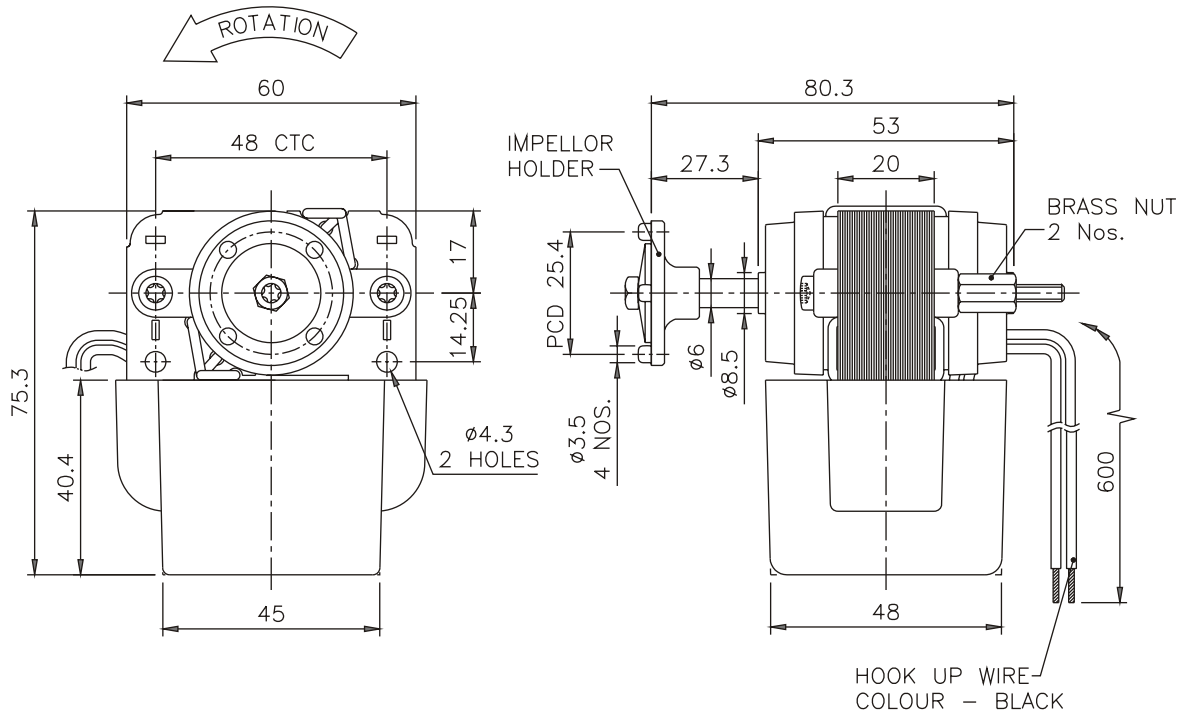
**Note:** Suitable Impellor

- 1) Aluminium Impellor Ø 150 mm ( Air Flow Suction - V )
- 2) Aluminium Impellor Ø 150 mm ( Air Flow Throw - A )

**Specification**

Model	Insulation	Bearing	Fan Blade	Voltage	Frequency	Current	Power Consumption	Speed	Air Flow
REC			Ø	V	Hz	A	W	RPM	CFM
6120 A2 - 01	With Potting	Sleeve	150	230	50	0.16	20	2400	137

Note : Also Available in 115 VAC



\* Specifications Subject to Change Without Notice