

83 x 83 x 20 mm

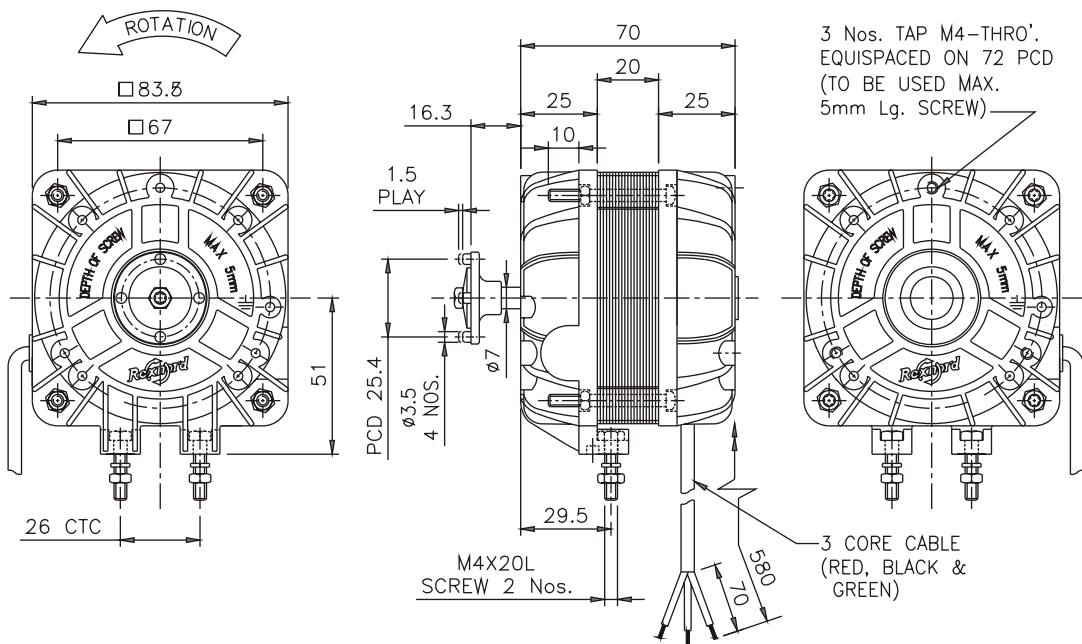
- Motor Design : Shaded Pole Motor
- Housing : Aluminium Die-cast
- Bearing : Sleeve Bearing
- Operating Voltage : 230V (185 - 245 VAC)
- Dielectric Strength : AC 1500V for 1 minute
- Insulation : Class B
- Insulation Resistance : Above 100M Ohms at 500 VDC
- Connection : W = Lead Wire
- Motor Protection : Impedance Protected
- Direction of Rotation : CCW
- Operating Temperature : - 40 to + 40°C
- Net Weight : 1080 Grams



Specification

Model	Bearing	Fan Blade	Degree Angle	Voltage	Frequency	Current	Input Power	Output Power	Speed	Air Flow
REC		Ø		V	Hz	A	W	W	RPM	CFM
8320 - 07 A2	Sleeve	200	34°	230	50 / 60	0.23 / 0.21	30 / 29	7	1300 / 1500	306
	Sleeve	230	28°	230	50 / 60	0.23 / 0.22	34 / 32	7	1300 / 1500	330
8320 - 10 A2	Sleeve	200	34°	230	50 / 60	0.23 / 0.21	32 / 31	10	1300 / 1500	310
	Sleeve	230	28°	230	50 / 60	0.23 / 0.22	35 / 34	10	1300 / 1500	353

Note : Also Available in 115 VAC



* Specifications Subject to Change Without Notice