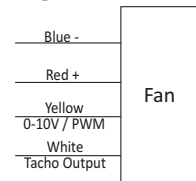


225 x 225 x 80 mm

- Motor Design : DC Brushless Motor
- Housing : Aluminium Die - cast
- Impellor : Metal
- Bearing : Ball Braring
- Operating Voltage : 48V (36 ~ 56 VDC)
- Dielectric Strength : AC 500V for 1 minute
- Insulation : Class B Protection Grade IP 44
- Speed Control : 0-10V / PWM Motor current limit soft start
- Connection : Terminal PA - 10
- Motor Protection : Ultra Temperature Protection under
Standard Speed
- Operating Temperature : - 20 to +80°C (Operating)
- Net Weight : 2300 Grams (2.3 Kg)

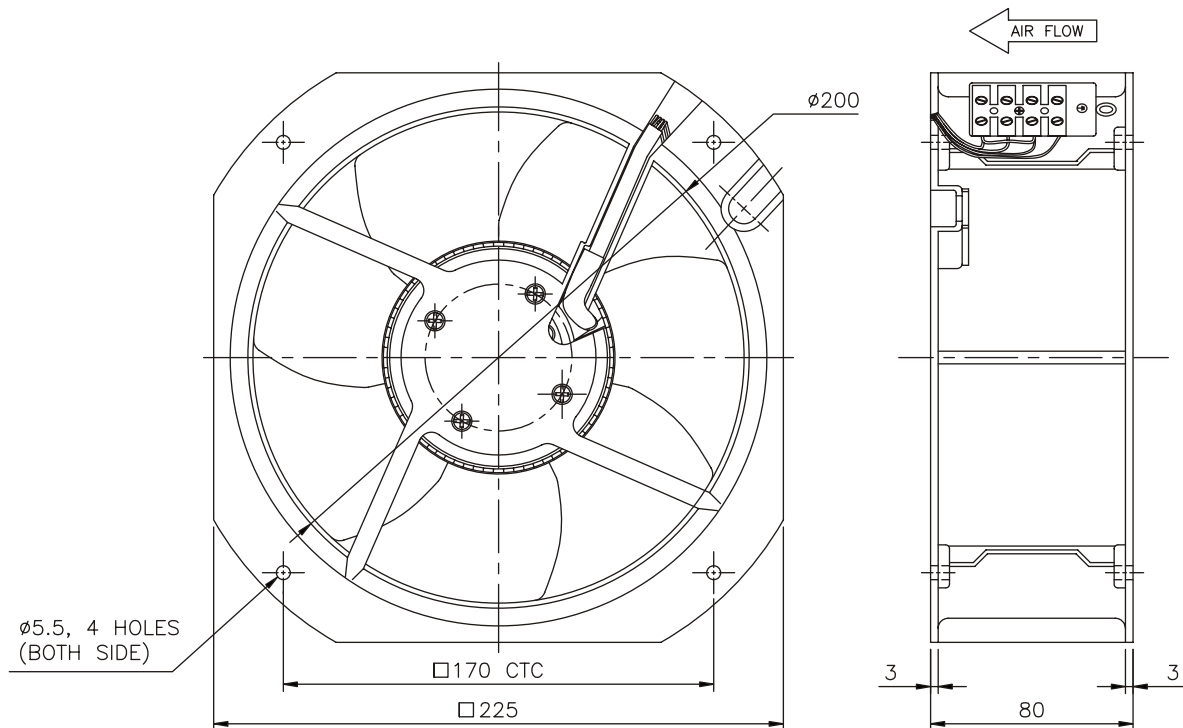


Diagram



Specification

Model	Bearing	Voltage	Current	Input Power	Speed	Air Flow	Static Pressure	Noise
REC		V	A	W	RPM	CFM	mm H ₂ O	dB(A)
22580 B48 H W - MB	Ball	48	1.10	52.8	2850	647	24.6	67



* Specifications Subject to Change Without Notice