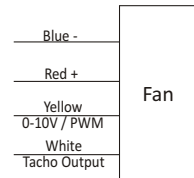


**280 x 280 x 80 mm**

- Motor Design : DC Brushless Motor
- Housing : Aluminium Die - cast
- Impellor : Metal
- Bearing : Ball Braring
- Operating Voltage : 48V (36 ~ 56 VDC)
- Dielectric Strength : AC 500V for 1 minute
- Insulation : Class B Protection Grade IP 44
- Speed Control : 0-10V / PWM Motor current limit soft start
- Connection : Terminal PA - 10
- Motor Protection : Ultra Temperature Protection under  
Standard Speed
- Operating Temperature : - 20 to +80°C (Operating)
- Net Weight : 2500 Grams (2.5 Kg)

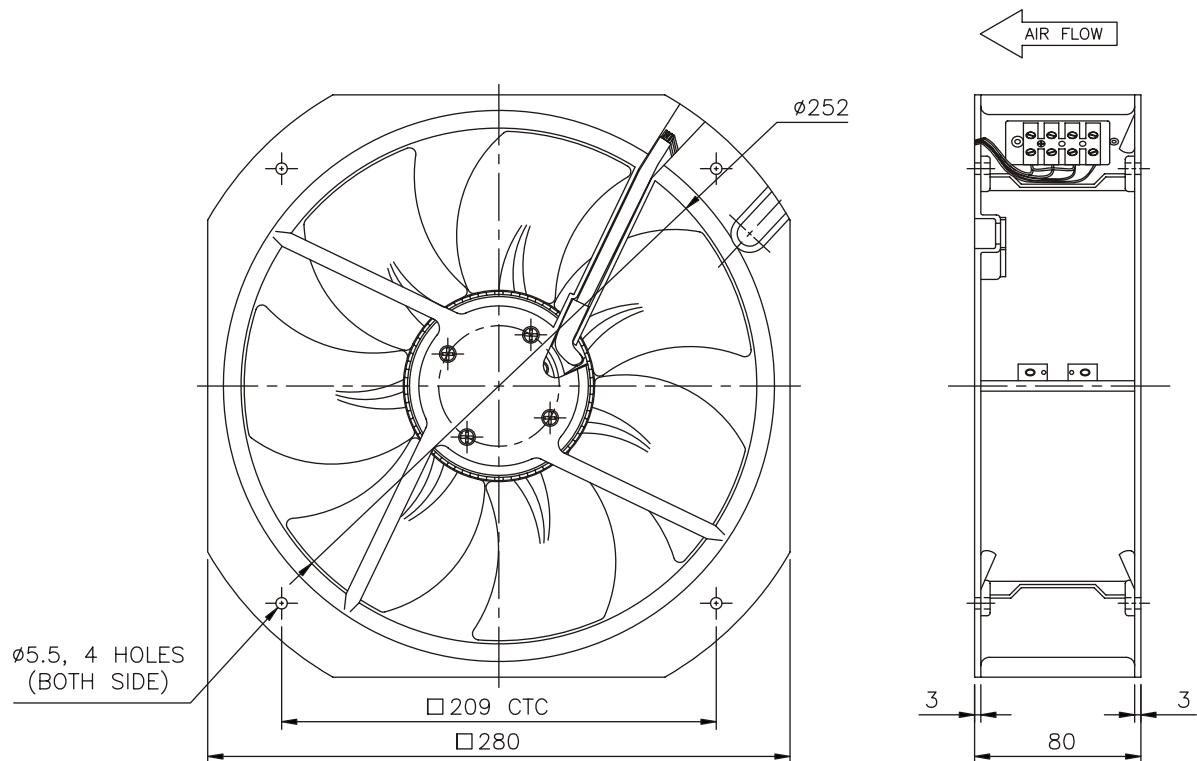


Diagram



**Specification**

Model	Bearing	Voltage	Current	Input Power	Speed	Air Flow	Static Pressure	Noise
REC		V	A	W	RPM	CFM	mm H <sub>2</sub> O	dB(A)
28080 B48 HW - MB	Ball	48	2.20	105.6	2650	1200	30.6	69



\* Specifications Subject to Change Without Notice