

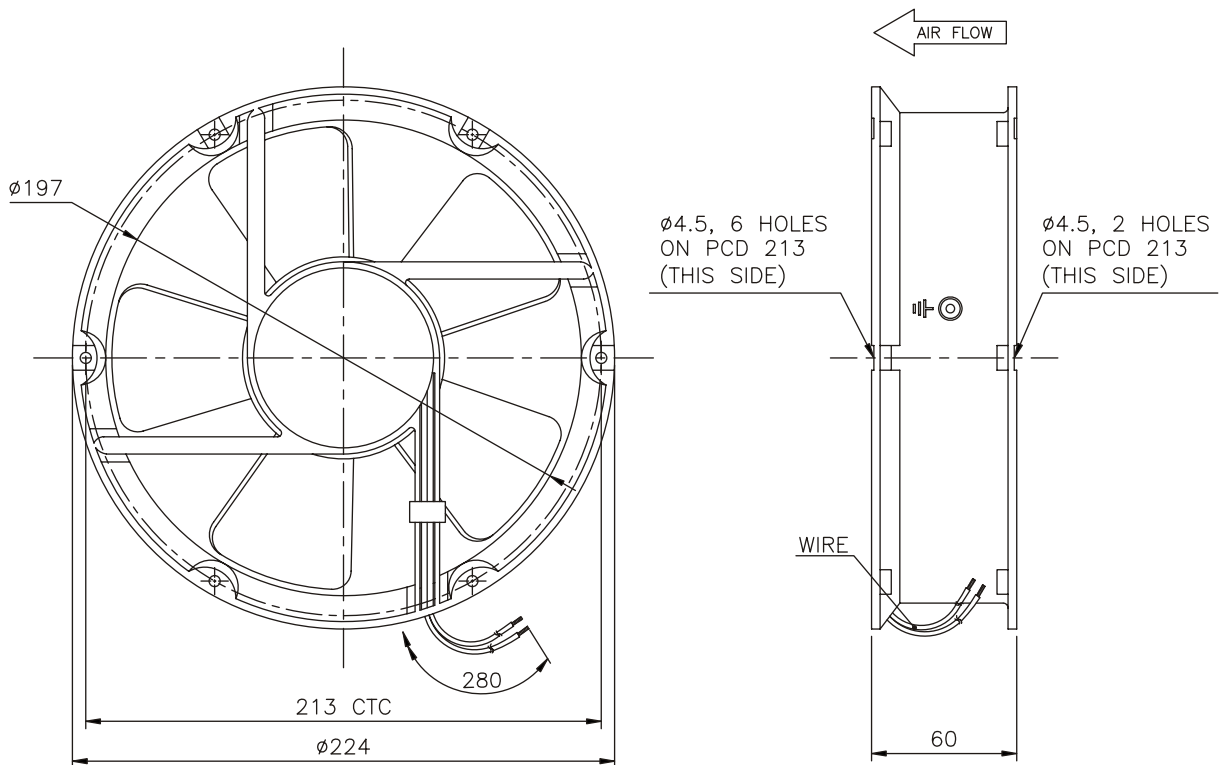
Ø 220 x 60 mm

Motor Design : DC Brushless Motor
 Housing : Aluminium Die-cast
 Impellor : Nylon 66
 Bearing : Ball Bearing
 Operating Voltage : 24V (18 ~ 27 VDC)
 48V (36 ~ 56 VDC)
 Dielectric Strength : AC 500V for 1 minute
 Insulation Resistance : Above 10M Ohms at 500 VDC
 Connection : W = Lead Wire
 Motor Protection : Reverse Polarity & Locked Rotor
 Operating Temperature : - 20 to +70°C
 Net Weight : 950 Grams



Specification

Model	Bearing	Voltage	Current	Input Power	Speed	Air Flow	Static Pressure	Noise
REC		V	A	W	RPM	CFM	mm H ₂ O	dB(A)
22060 B24 M W	Ball	24	1.00	24	2650	400	28	60
22060 B48 M W	Ball	48	0.50	24	2600	400	28	60



* Specifications Subject to Change Without Notice