



EC Axial Fans

- Motor Design : EC Technology
- Housing : Aluminium Die-cast
- Impeller : PBT (Polybutylene Terephthalate)
- Bearing : Sleeve or Ball Bearing
- Operating Voltage : 230V (185 - 245 VAC)
- Dielectric Strength : AC 500V for 1 minute
- Insulation : Class B
- Insulation Resistance : Above 10M Ohms at 500 VDC
- Connection : W = Lead Wire
- Motor Protection : Via Electronics
- Operating Temperature : - 10 to +70°C for Sleeve Bearing
- 20 to +70°C for Ball Bearing
- Net Weight : 105 Grams

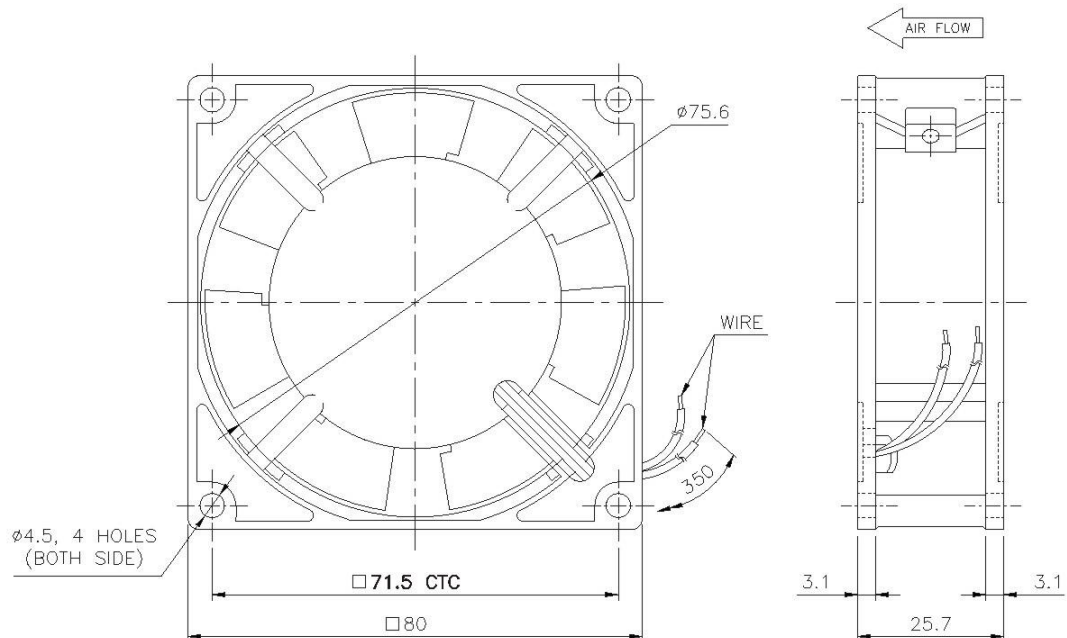
80 x 80 x 25 mm



Specification

Model	Bearing	Voltage	Frequency	Current	Input Power	Speed ±5 %	Air Flow	Static Pressure	Noise
EC		V	Hz	A	W	RPM	CFM	mm H ₂ O	dB(A)
EC - 8025 A2 MW	Sleeve	230	50 /60	0.02	2.0	3000	27.0	4.5	30
EC - 8025 B2 MW	Ball	230	50 /60	0.02	2.0	3100	28.0	4.6	30

Note : Also Available in 115 VAC



* Specifications Subject to Change Without Notice