

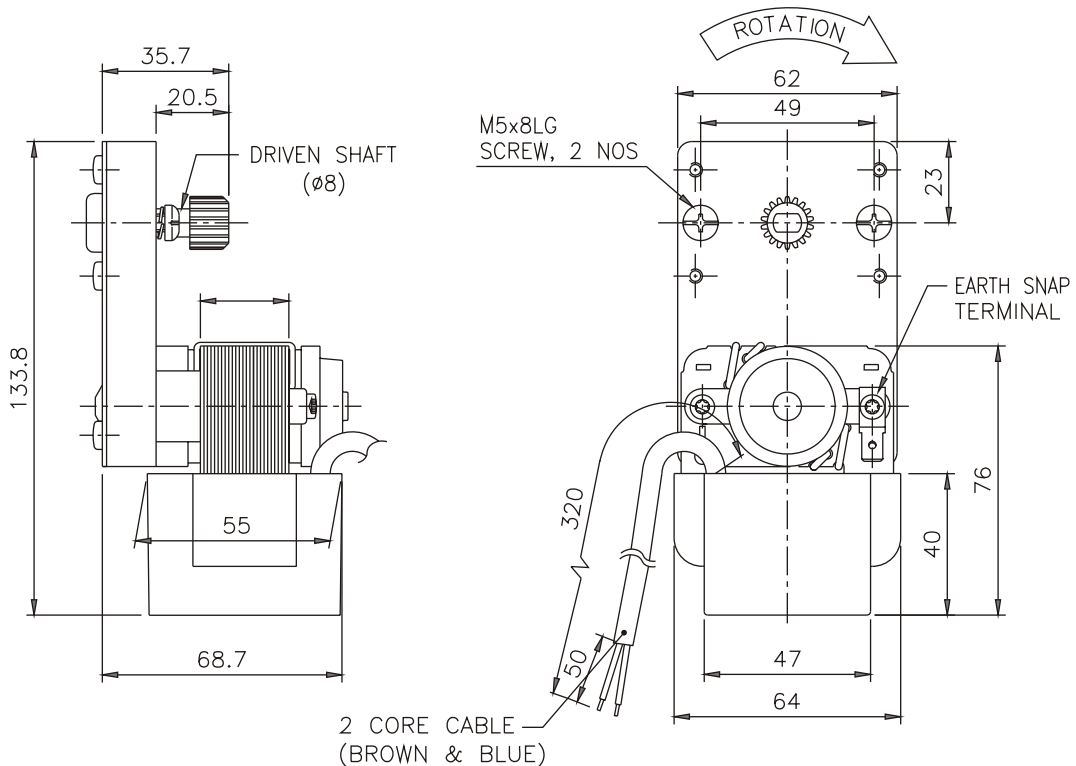
## 61 x 61 x 25 mm

Motor Design	: Shaded Pole Motor
Housing	: Aluminium Die-cast
Gears	: Plastic Gears & Sintered iron Gears.
Bearing	: Sleeve Bearing
Operating Voltage	: 230V (185 - 245 VAC)
Dielectric Strength	: AC 1500V for 1 minute
Insulation	: Class B
Insulation Resistance	: Above 100M Ohms at 500 VDC
Connection	: Lead Wire
Motor Protection	: Thermal Protected
Direction of Rotation	: CW
Operating Temperature	: 4°C to + 40°C
Net Weight	: 1055 Grams



### Specification (No Load)

Model	Bearing	Voltage	Frequency	Current	Power Consumption	Speed	Torque	Noise
REC		V	Hz	A	W	RPM	Kgf.cm	dB(A)
6125 GM - A2 W	Sleeve	230	50 / 60	0.55 / 0.33	37 / 27	85 / 105	7	50



\* Specifications Subject to Change Without Notice